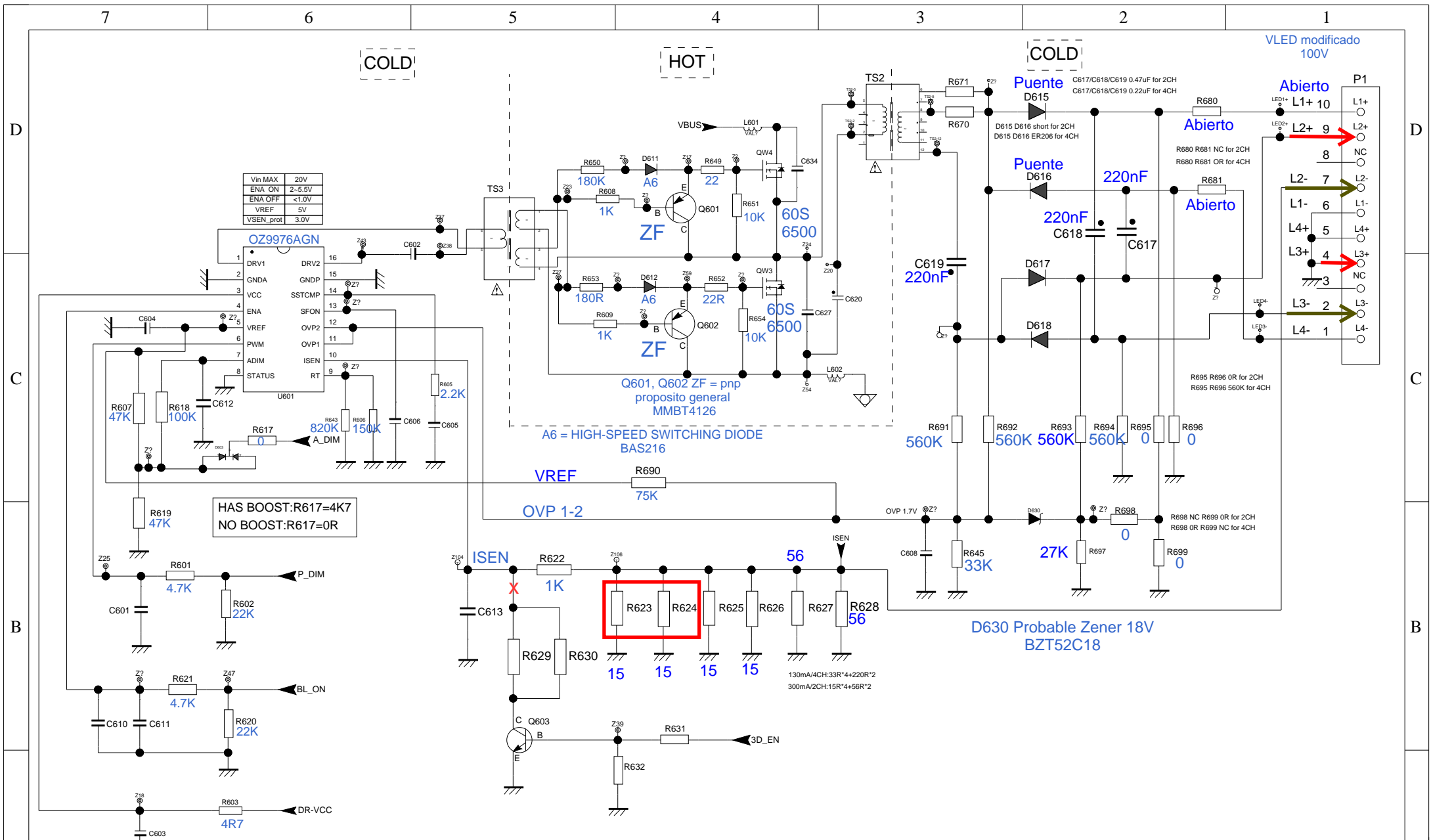


THIS DRAWING CANNOT BE COMMUNICATED TO UNAUTHORIZED PERSONS COPIEDUNLESS PERMITTED IN WRITING



SBU : V01					TCL									
TCLNO: 01-L14TH4-PWB														
DESIGNATION														
LLC					<table border="1"> <tr> <td>DRAWN</td> <td>CHECKED</td> <td>PAGE: 3</td> </tr> <tr> <td>ON: DD-MM-YY</td> <td>ON:</td> <td>OF : 3</td> </tr> <tr> <td>BY:</td> <td>BY:</td> <td></td> </tr> </table>	DRAWN	CHECKED	PAGE: 3	ON: DD-MM-YY	ON:	OF : 3	BY:	BY:	
DRAWN	CHECKED	PAGE: 3												
ON: DD-MM-YY	ON:	OF : 3												
BY:	BY:													
Last saved : 9-15-2017_14:07														